

ESB Networks Substation Projects Bund Test Report



Bund Test

1. Fill the bund slowly with water to within 100mm of the top of the bund walls.
2. Leave the water for a period of 24 hours to allow the concrete to be completely saturated.
3. Top up water, if required, to within 100mm of top of wall. Mark the level of the water on the bund wall at the sump and at least one other location on the other side of the bund wall.
4. Fill an open vessel (e.g. bucket) with water to $\frac{3}{4}$ of its depth and mark the water level. Place the vessel adjacent to the sump to measure evaporation/rainfall during the test period.
5. After another 48 hours, check and record the level of the water at the same locations.
6. A drop of greater than 5mm in the water level, adjusted for evaporation/rainfall is deemed to be a bund failure.
7. The checks are to be witnessed by the ESBI site inspector/site engineer.

Record of Bund Test

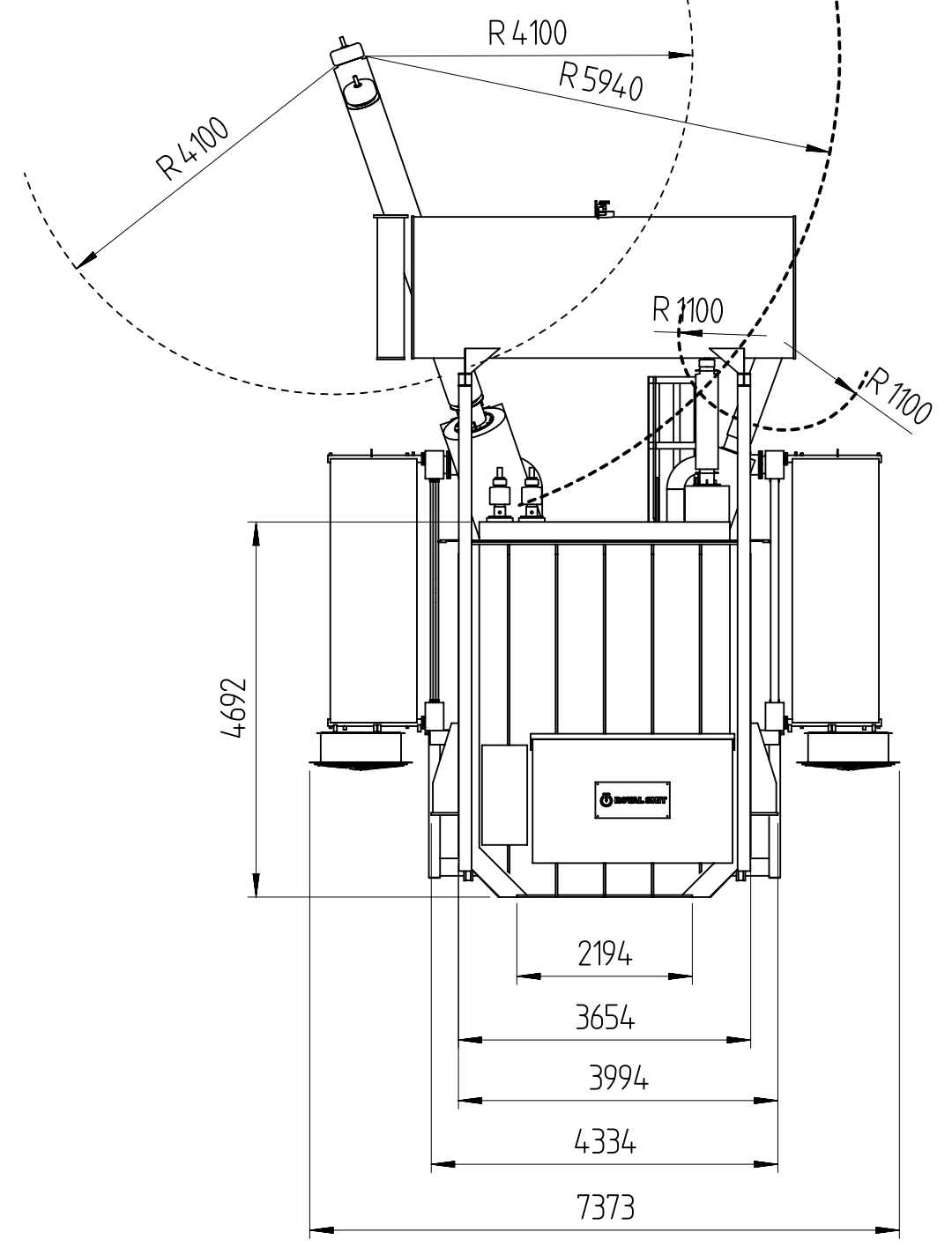
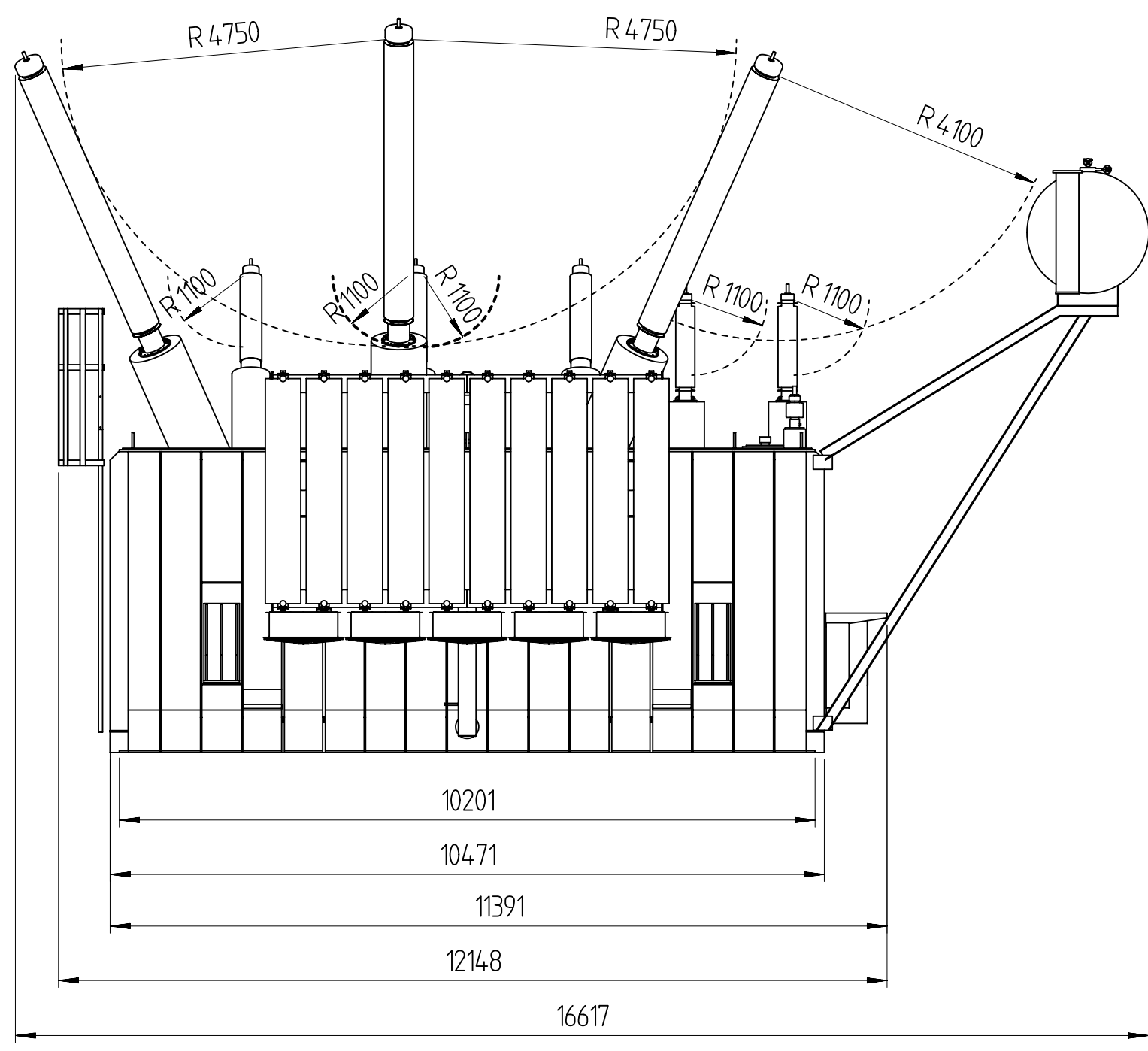
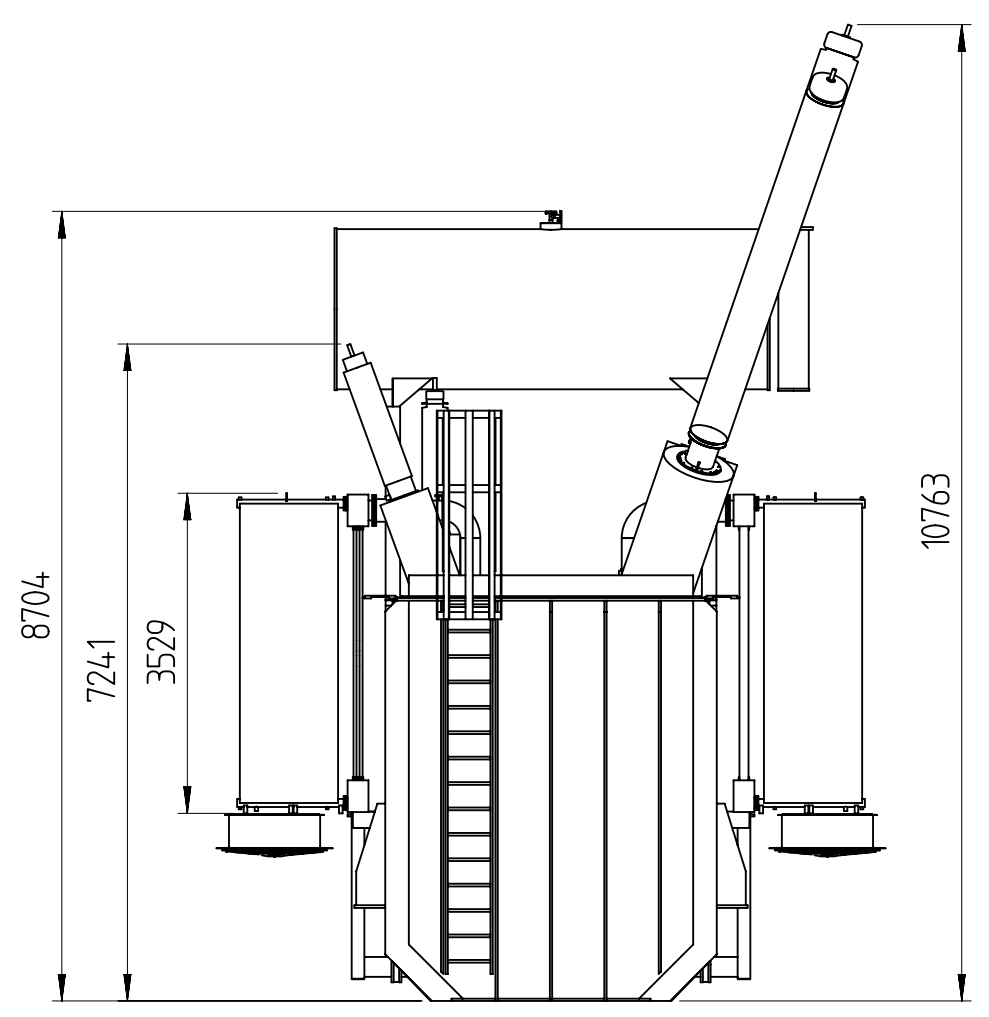
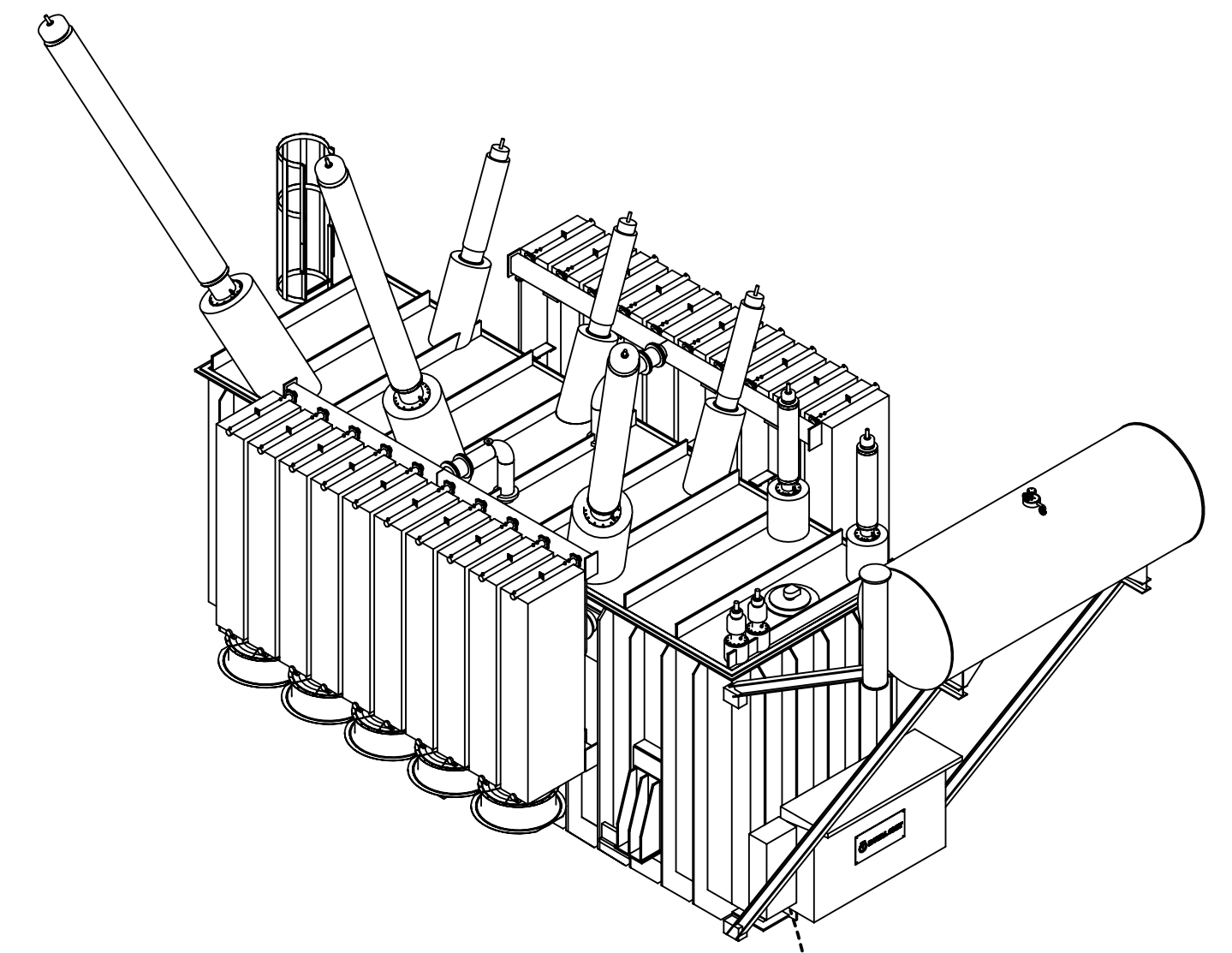
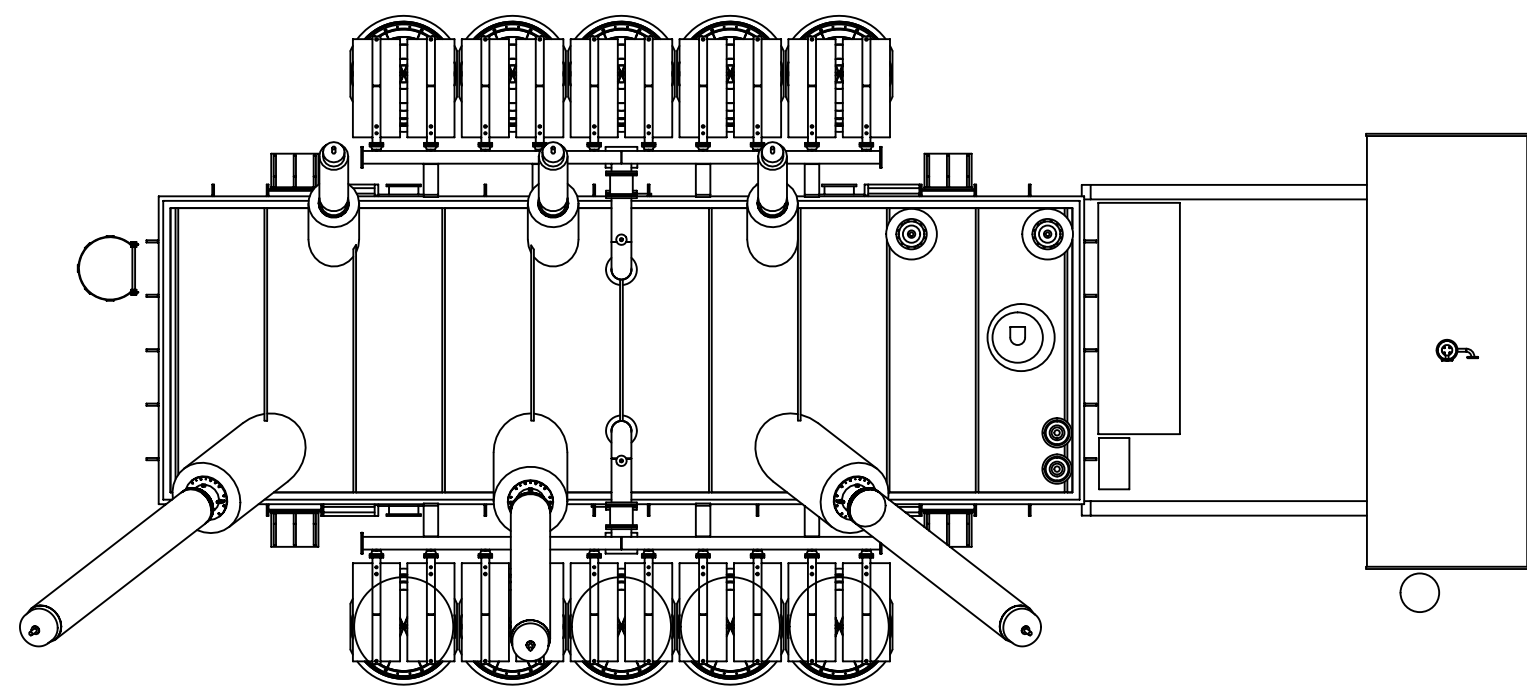
Project:	_____
Bund Ref. Number:	_____
Date and Time Water Level Marked:	_____
Date and Time Water Level Checked:	_____
Evaporation (-mm), Rainfall (+mm):	_____
Change in level (mm):	_____
Change in Level Adjusted for Evaporation/Rainfall (mm):	_____

Signed for Contractor: _____
signature date

Name of Contractor: _____

Signed as witnessed by ESBI
Site Inspector/Site Engineer: _____
signature date

Transformer Complete
 Weight incl. Oil : 429.500 kg
 Weight of Oil : 91.000 kg
 Transport Weight excl. oil: 308.000 kg

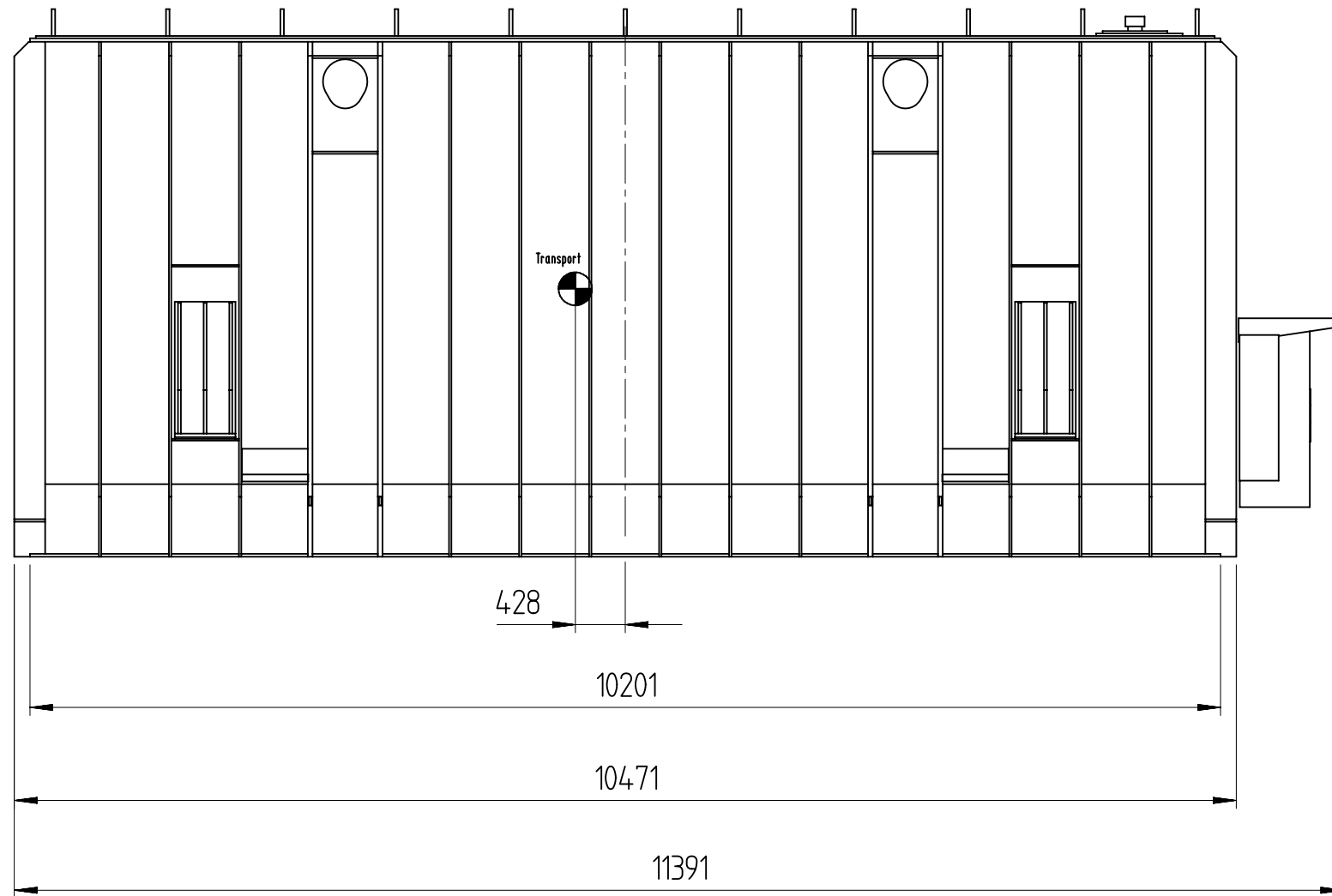


Proposal drawing / Subject to changes

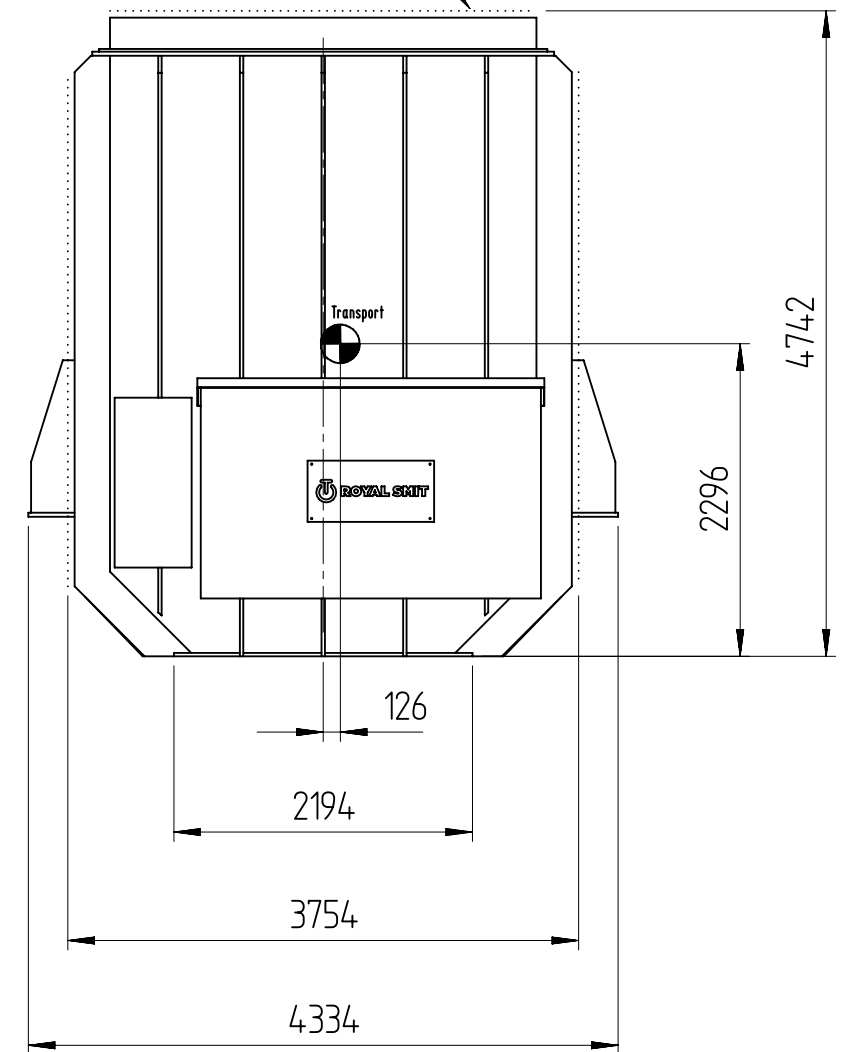
Projection 	Description of modification -	Modified by -	Date -
Material: n.a.	Project number	Article number	Drawn M.Brethouwer
Name Smit 29.40.01-09.006e	Transformer		Checked M.Brethouwer
DO NOT MEASURE FROM DRAWING	500 MVA - 371.9/110/10.5 kV		Form A2
Drawing number 2164998-101			Rev B

Transport Weight: 308.000 kg

310003286-p30



Transformer shipping profile



Proposal drawing / Subject to changes

Projection 	Description of modification			Modified by	Date
	-			-	-
Smit 29.40.01-09.006e DO NOT MEASURE FROM DRAWING	Material:	Project number	Article number	Drawn	M.Brethouwer
	n.a.			Checked	M.Brethouwer
Name				Form	
Transformer				ROYAL SMIT A3	
500 MVA - 371.9/110/10.5 kV				Rev	
				2164998-104 B	