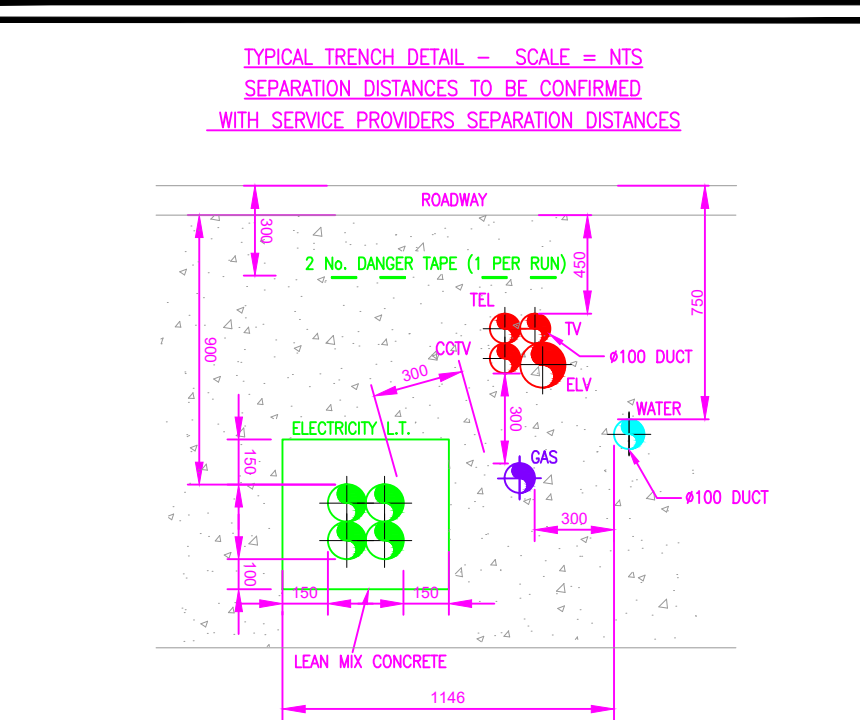
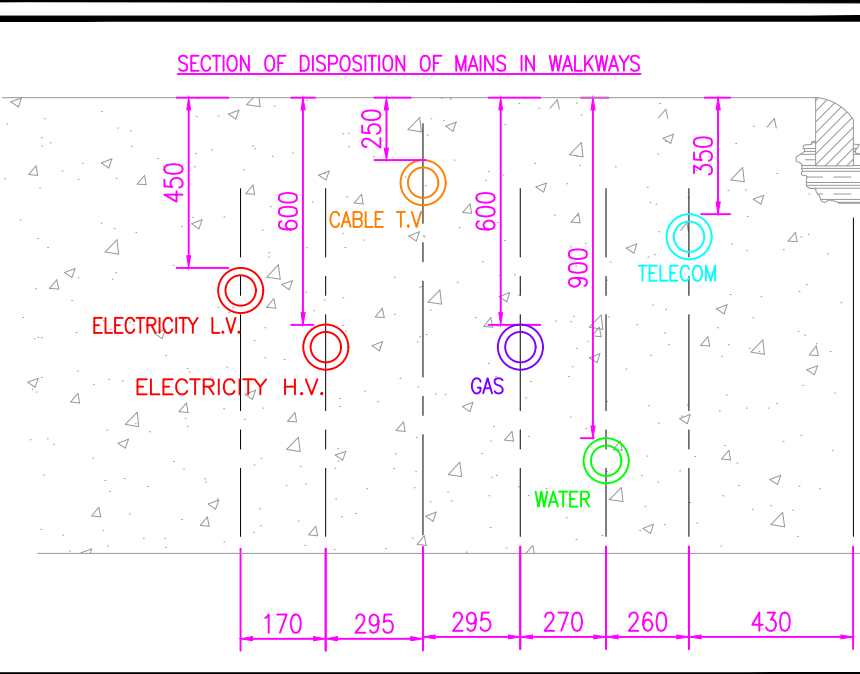
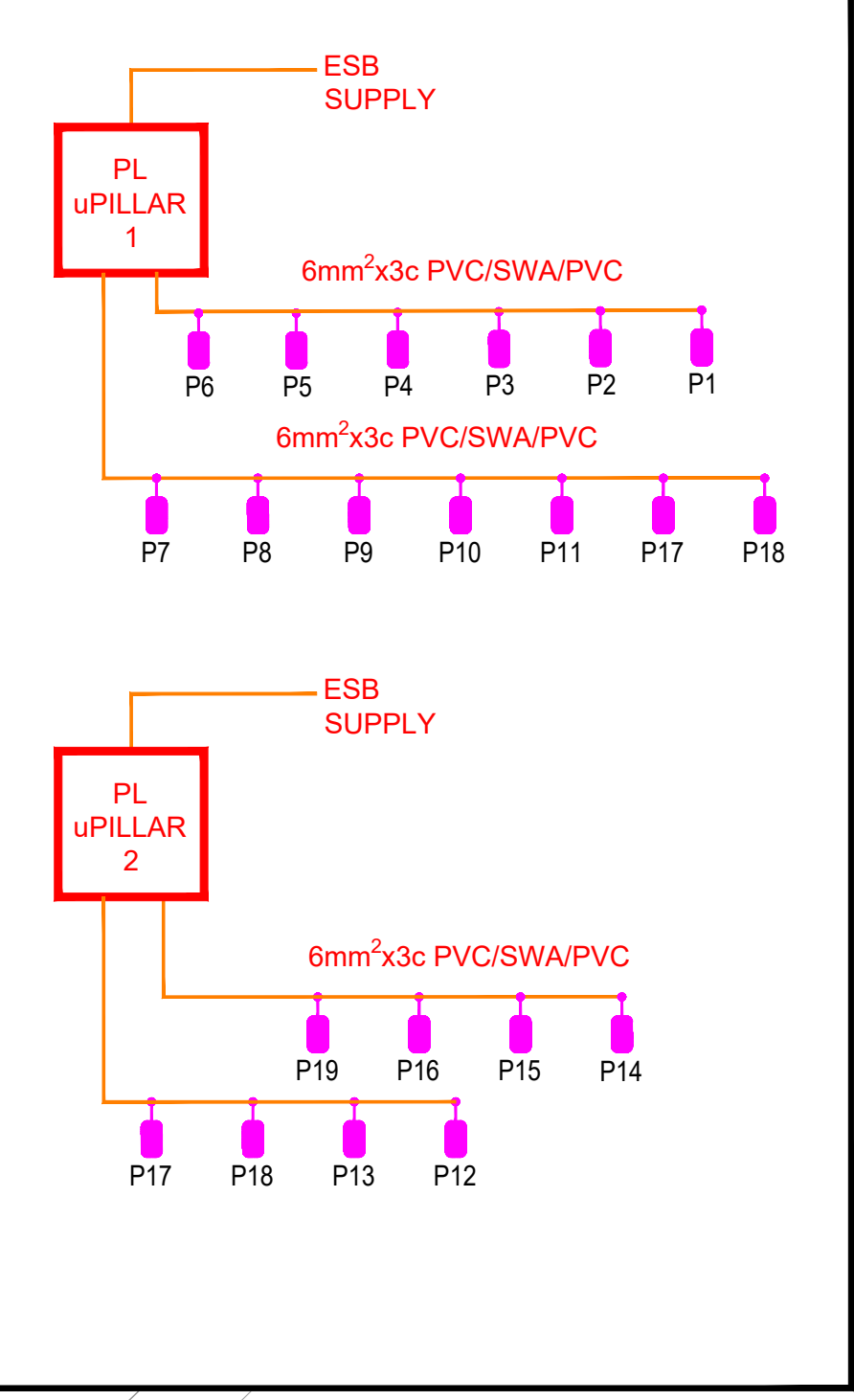


**NOTES:**

**GENERAL NOTES:**

- THIS DRAWING TO BE READ IN CONJUNCTION WITH ALL RELEVANT ARCHITECTS, C&S ENGINEERS DRAWINGS & SPECIFICATIONS.
- ALL WORKS TO BE CARRIED OUT IN ACCORDANCE WITH THE RELEVANT BUILDING REGULATIONS.
- DO NOT SCALE — WORK TO FIGURE DIMENSIONS ONLY.



**IHEEM**

**ENGINEERS IRELAND**

**cpd ACCREDITED COMPANY**

Qualitas Veritas ISO 9001-2015

Dwg No.	Revised drawings	Dwg Title

Rev.	Date	Description	Drawn	Checked	Approved
P1	25/05/23	INFORMATION	HP	BC	BC
P2	14/07/23	INFORMATION	HP	BC	BC
P3	30/08/23	INFORMATION	HP	BC	BC
P4	21/09/23	STAGE 2	HP	BC	BC

Client: LAOIS COUNTY COUNCIL

Job Description: RESIDENTIAL DEVELOPMENT AT DERRY ROAD, DURROW, Co. LAOIS

Status: STAGE 2

Drawing Title: PUBLIC LIGHTING SITE SERVICES LAYOUT

Project No: 23ME007 Drawing Ref: ME-1000(C) P4

Date: 26/05/2023 Scale: 1:400 @ A1 (1:800@A3)

Drawn By: H.P. Checked By: B.C. Approved By: B.C.

**Hayes Higgins Partnership**

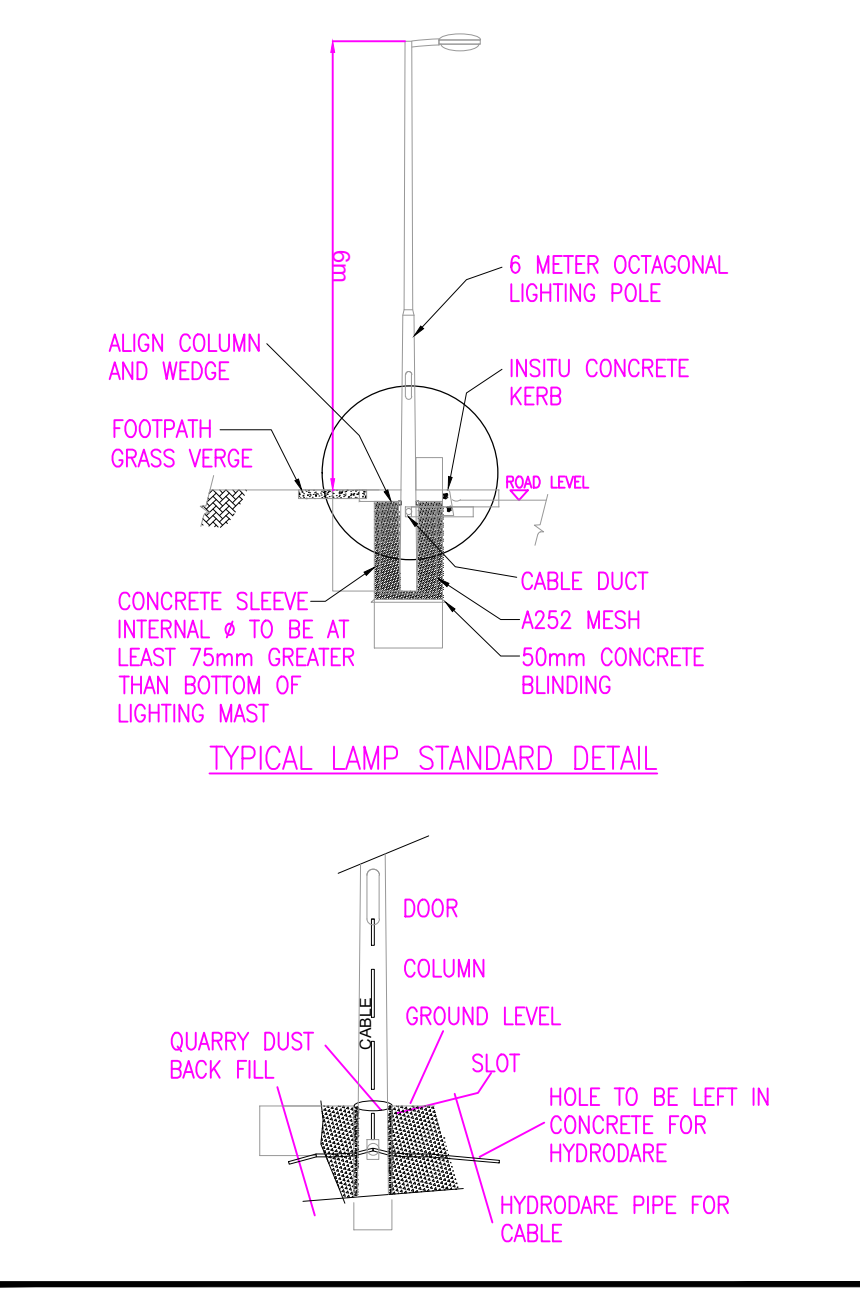
Gas House Lane, Kilkenny.

Gas House Lane, Kilkenny (056) 7764710 (056) 7723223 info@hhp.ie

The Open House, 11 Odeon Lane, Smithfield, (01) 8623231 (01) 8623804 admin@hayeshiggins.ie

**NOTES:**

- Ducting shall comply with latest version of BS EN 50086 and shall be single wall, coloured red and manufactured from high-density polyethylene. The nominal external diameter of the duct shall be 107mm with a minimum wall thickness of 5mm.
- Each length of duct shall be stamped with the words "Public Lighting" or "Street Lighting", in 18mm black lettering repeated at 1-metre intervals.
- Ducts shall be laid with the legend facing upwards, in a straight line, close to the line of the column locations and shall contain a continuous draw wire of 8 kN strength.
- Sand should be used to backfill to 150mm above the top of the ducting.
- A clearance of at least 100mm shall be allowed to the trench wall.
- An identifying tape must be placed on top of the sand.
- A minimum depth of 450mm cover is required in urban footways, grass margins, pedestrian ways, laneways and vehicular accesses; and a minimum depth of 750mm is required at road crossings or under roadways.
- All sleeves to be in accordance with Section 11 and Appendix E of the "Construction Standards for Road and Street Works in Dublin City Council"



A.3.4